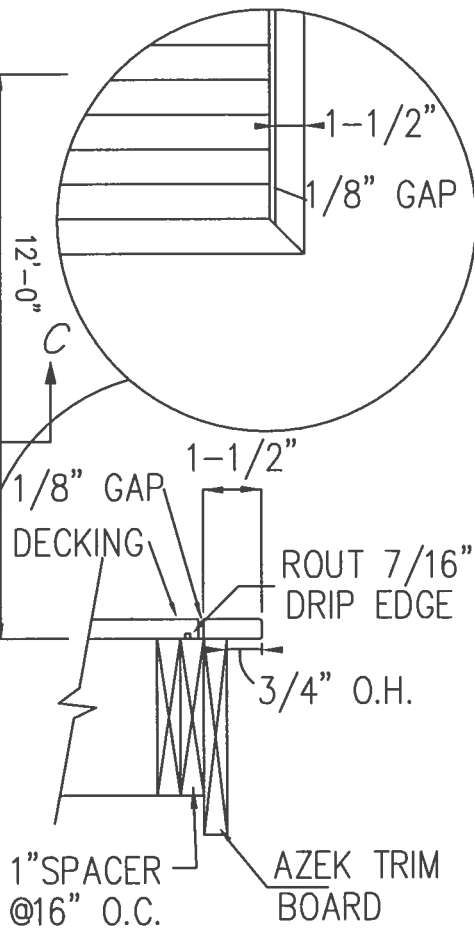
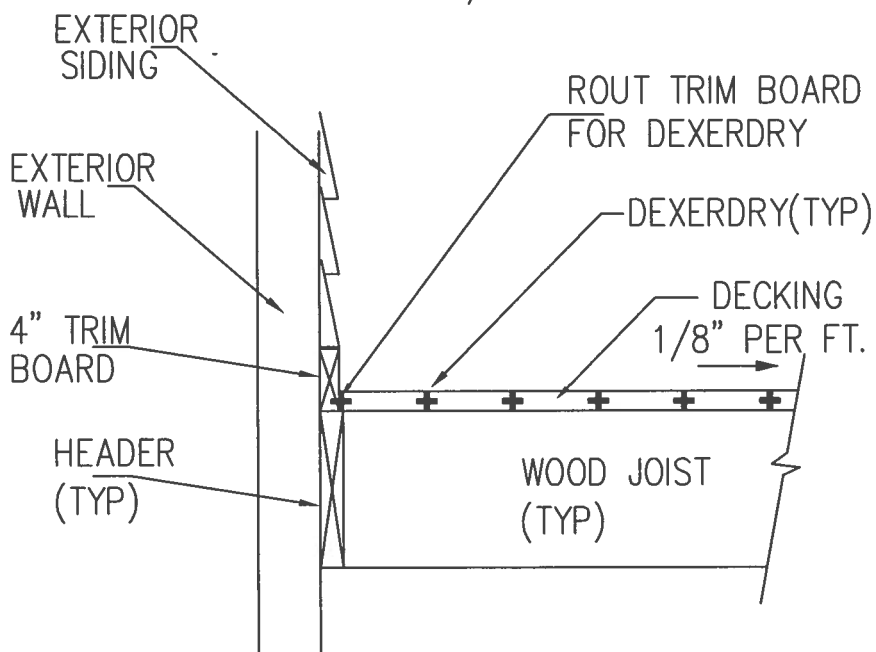


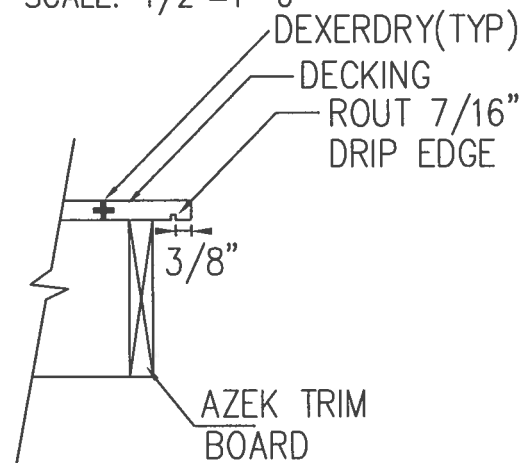
20' LONG DECK PLAN
SCALE: 1/4"=1'-0"



SECTION C-C
SCALE: 1/2"=1'-0"

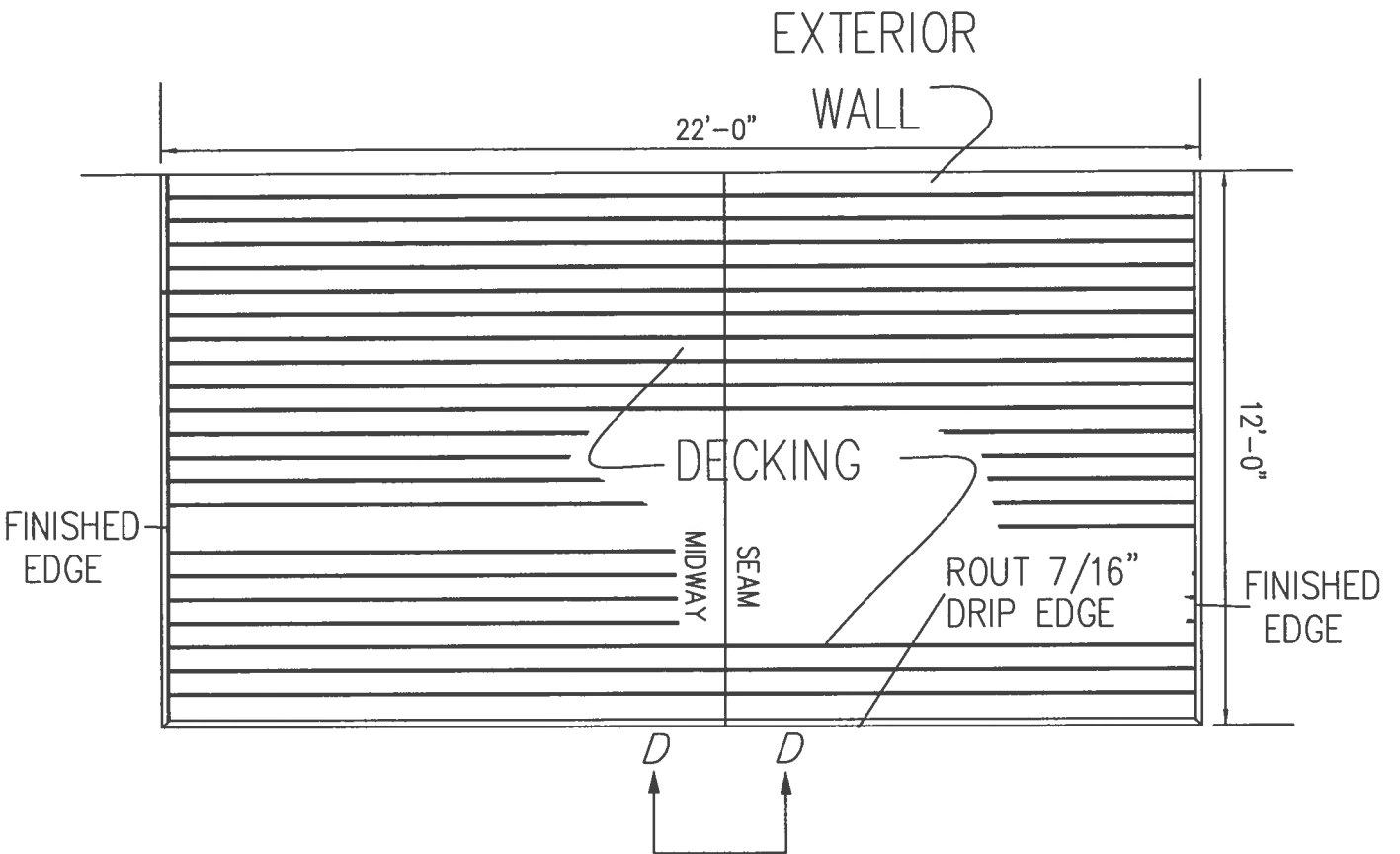


SECTION A-A
SCALE: 1/2"=1'-0"

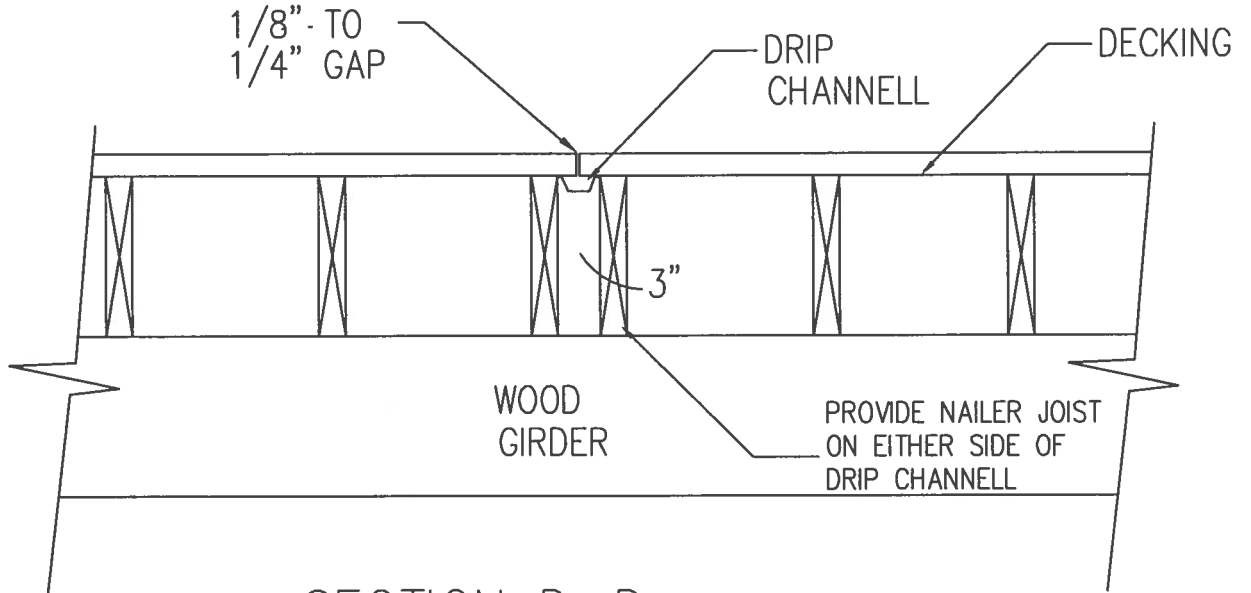


SECTION B-B
SCALE: 1/2"=1'-0"

DEXERDRY

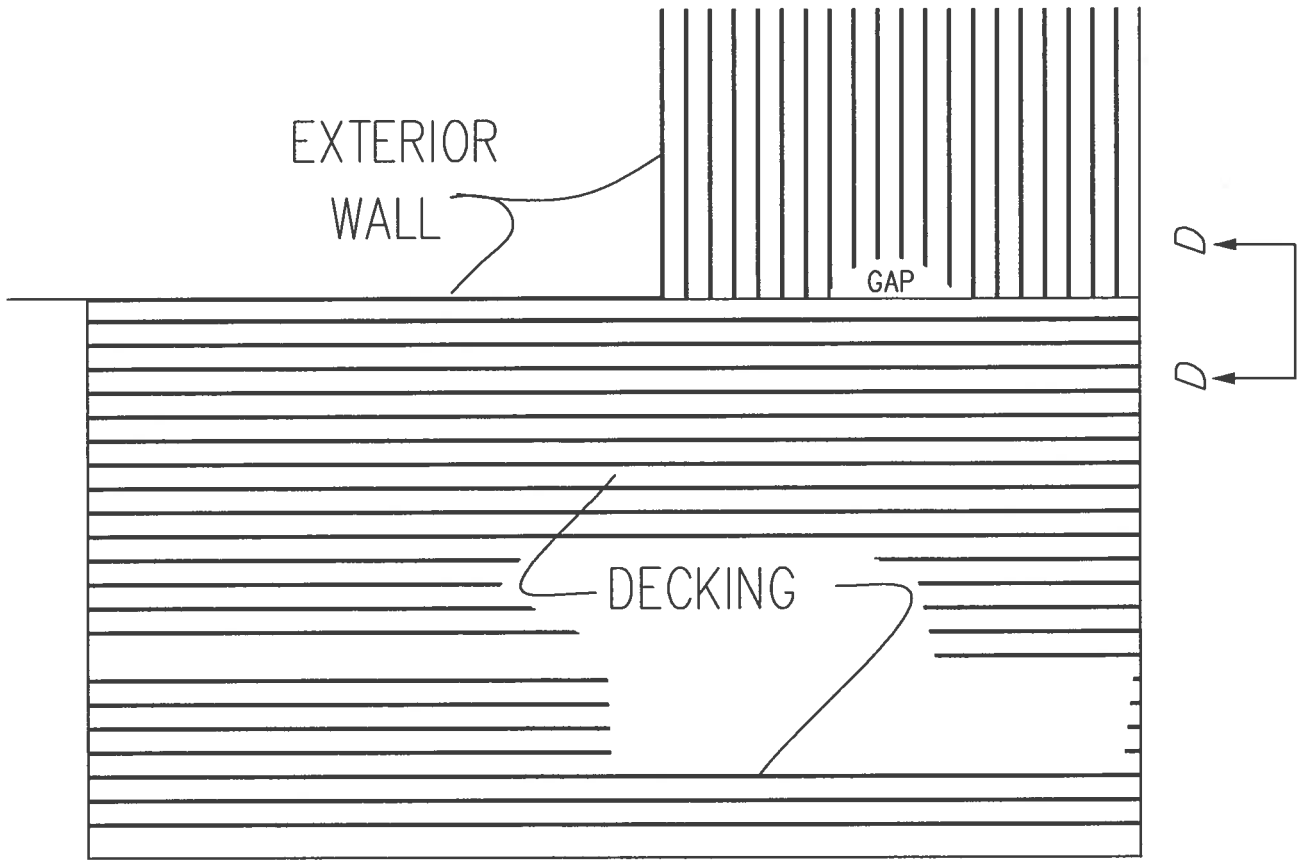


22' LONG DECK PLAN
SCALE: 1/4"=1'-0"

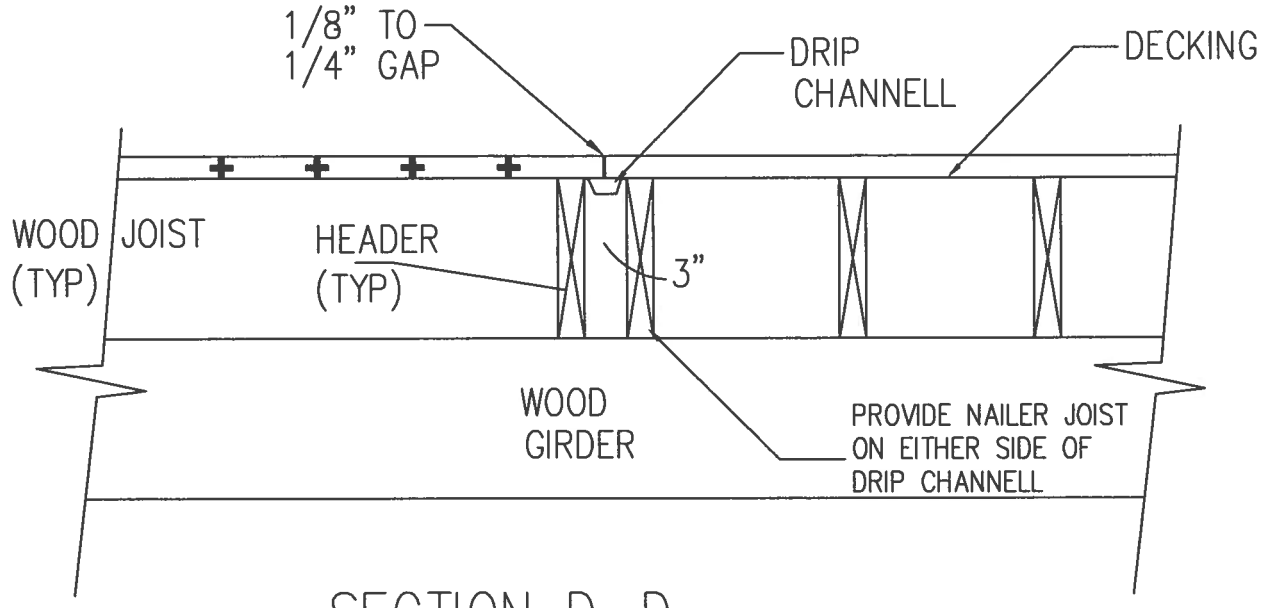


SECTION D-D
SCALE: 1/2"=1'-0"

DEXERDRY



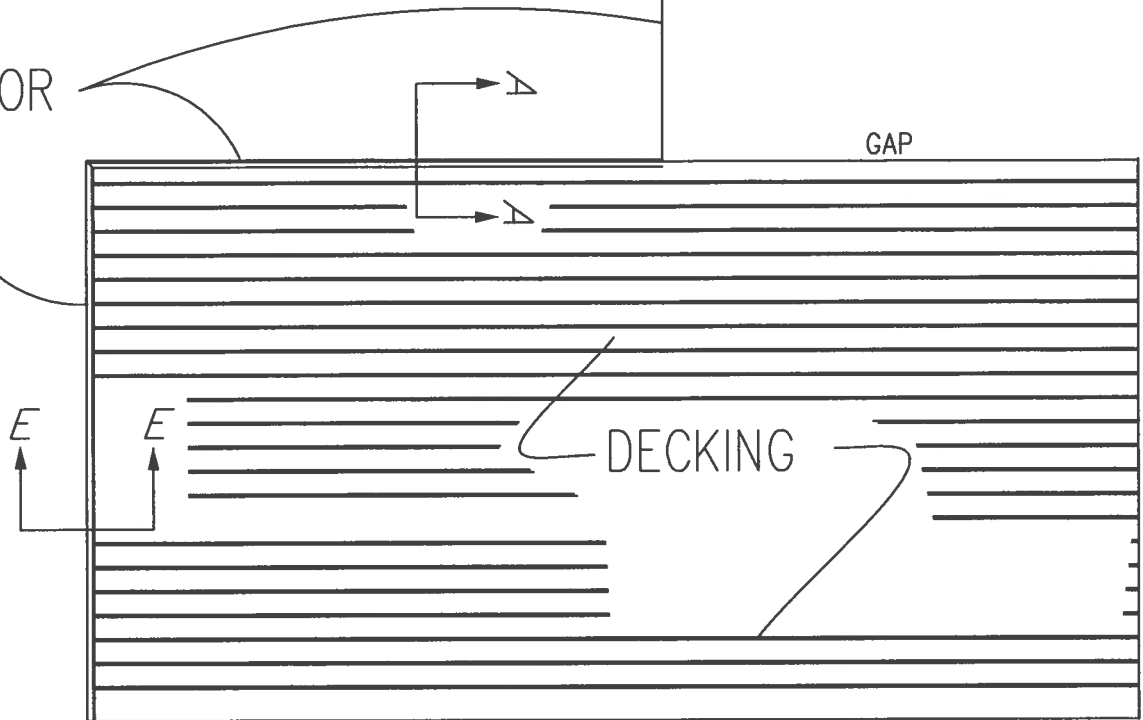
"L" SHAPE DECK PLAN
 SCALE: 1/4"=1'-0"



SECTION D-D
 SCALE: 1/2"=1'-0"

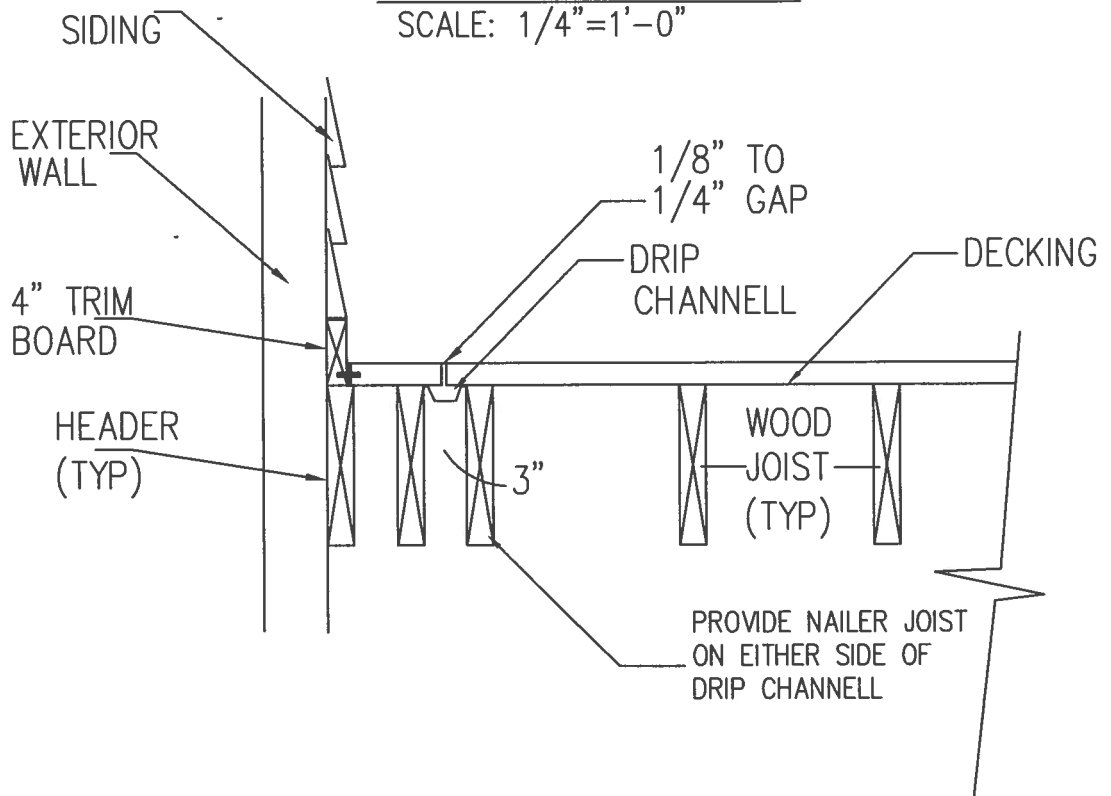
DEXERDRY

EXTERIOR
WALL



DECK WITH INTERIOR CORNER

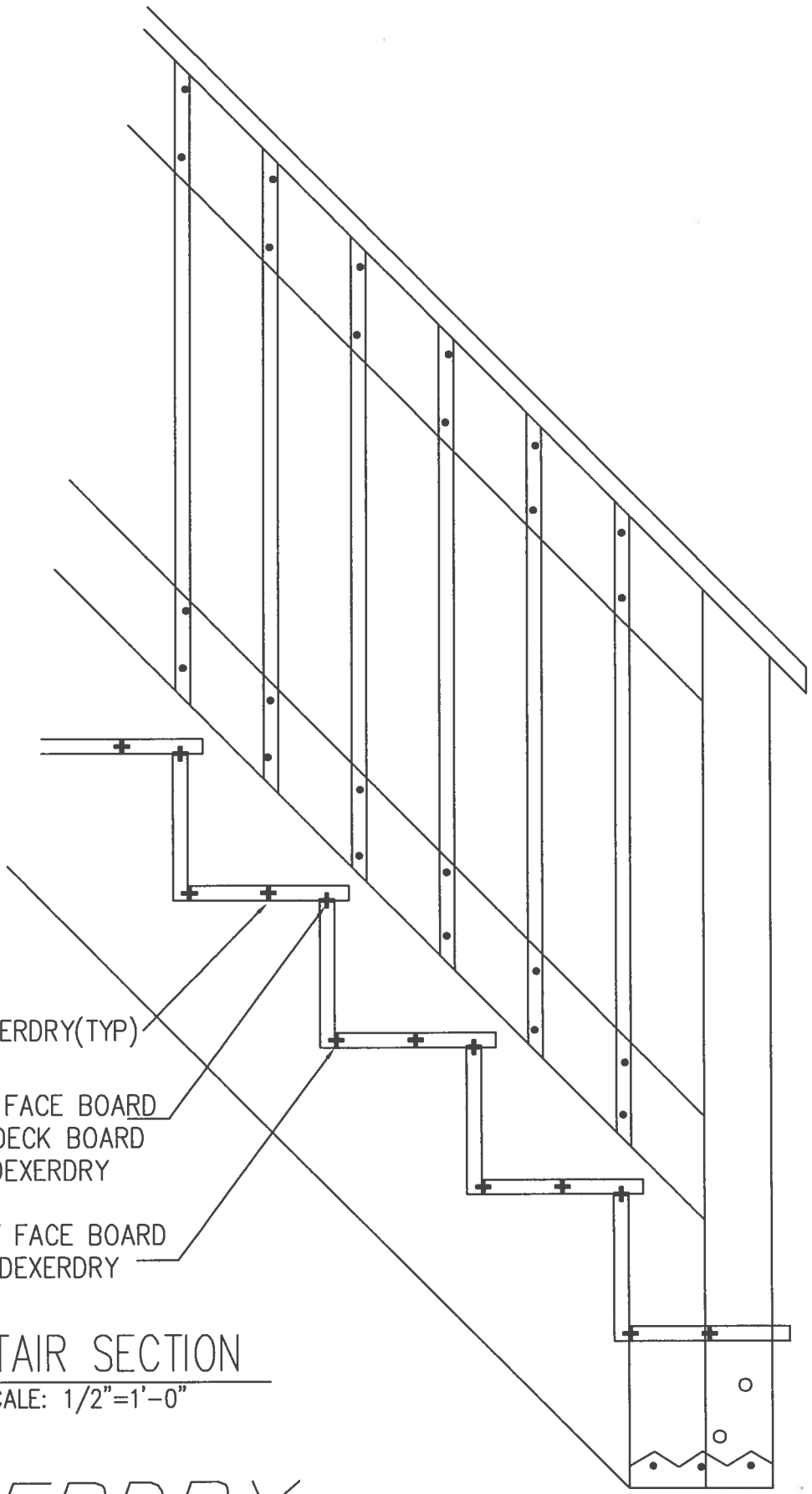
SCALE: 1/4"=1'-0"



SECTION E-E

SCALE: 1/2"=1'-0"

DEXERDRY



DEXERDRY(TYP)

ROUT FACE BOARD
AND DECK BOARD
FOR DEXERDRY

ROUT FACE BOARD
FOR DEXERDRY

STAIR SECTION

SCALE: 1/2"=1'-0"

DEXERDRY